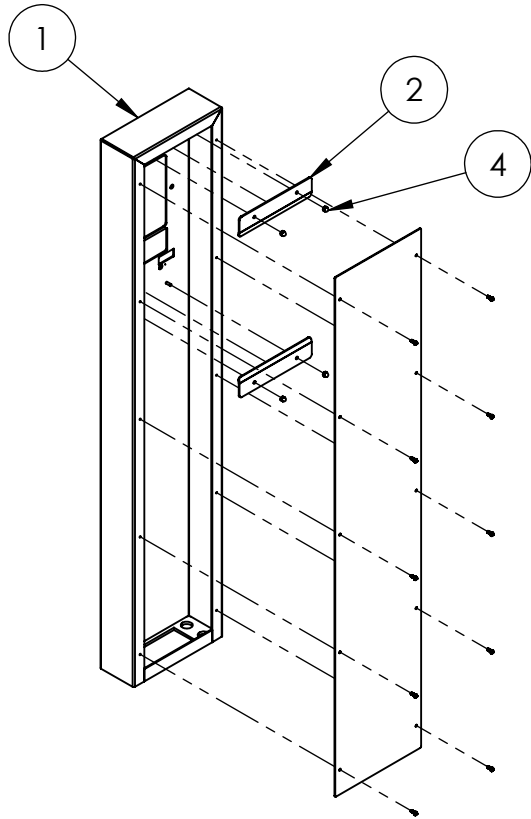


UNLESS OTHERWISE SPECIFIED:
 DIMENSIONS ARE IN INCHES
 TOLERANCES:
 FRACTIONAL $\pm 1/32$
 ANGULAR: $\pm 2^\circ$
 TWO PLACE DECIMAL ± 0.010
 THREE PLACE DECIMAL ± 0.005
 INTERPRET GEOMETRIC
 TOLERANCING PER:
 ASME Y14.5 -2009

NAME	DATE
DRAWN	
CHECKED	

TITLE: INSTALLATION		SIZE A	PART NO. MX-SS-7F	REV 0
WEIGHT:		NO SCALE		SHEET 1 OF 9

ITEM NO.	PART NUMBER	DESCRIPTION	QTY.
1	MX-SS-7F MAIN BODY	304SS TOWER WELDMENT	1
2	MX-SS-7F BRACKET	304SS FLUSH MOUNT BRACKET	2
3	MX-SS-7F ACCESS DOOR	304SS FLUSH MOUNT ACCESS DOOR	1
4	--	10-24 SS ACORN NUTS	4
10	91772A194	8-32 SS BUTTON HEAD SCREW	10



NOTES:

1. BRUSHED #4 FINISH.
2. MOUNTS A BUTTERFLY MX 21 INCH SURFACE MOUNT UNIT.

UNLESS OTHERWISE SPECIFIED:

DIMENSIONS ARE IN INCHES
TOLERANCES:
FRACTIONAL $\pm 1/32$
ANGULAR: $\pm 2^\circ$
TWO PLACE DECIMAL ± 0.010
THREE PLACE DECIMAL ± 0.005

INTERPRET GEOMETRIC
TOLERANCING PER:
ASME Y14.5 -2009

	NAME	DATE
DRAWN		
CHECKED		

TITLE:

MX-SS-7F

	SIZE A	PART NO. ASSEMBLY	REV 0
WEIGHT:	NO SCALE		SHEET 2 OF 9